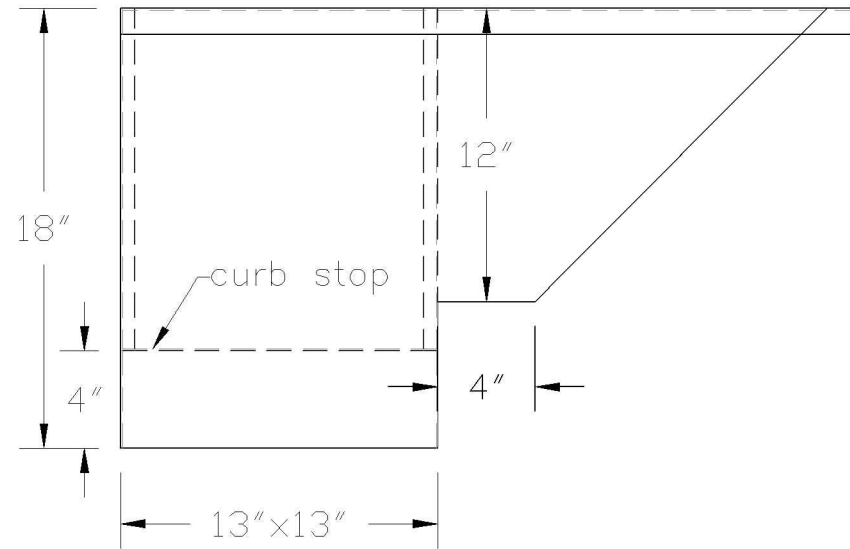
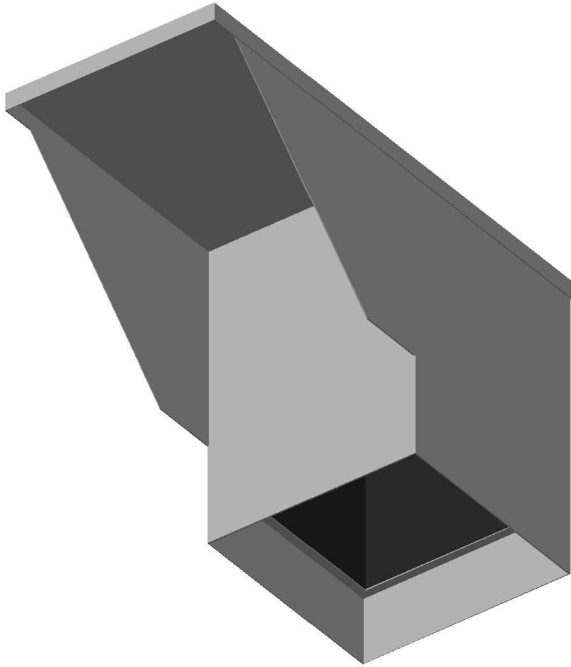
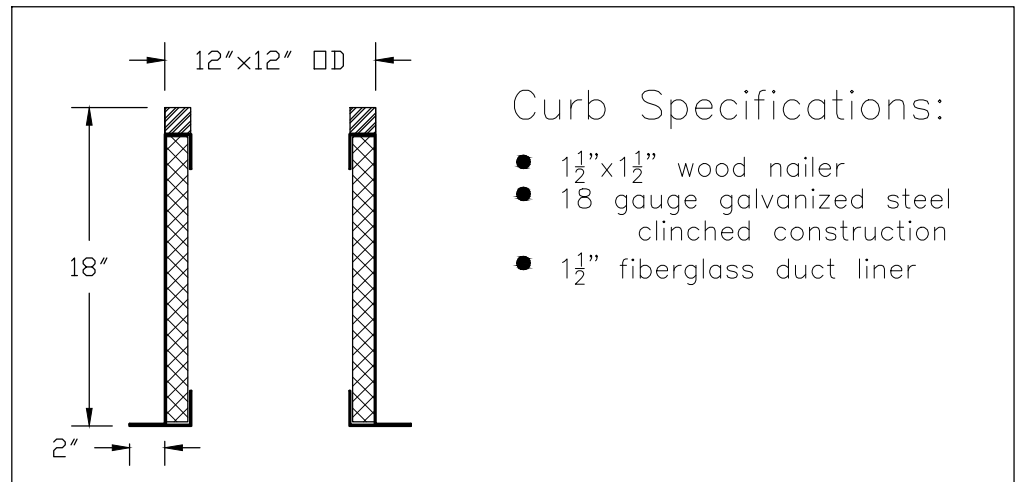


# Pipe Portal



## Specifications:

- 18 gauge welded stainless steel construction
- Removable cover
- Field cut pipe openings
- $\frac{1}{2}$ " Armaflex liner



## Curb Specifications:

- $\frac{1}{2}$ " x  $\frac{1}{2}$ " wood nailer
- 18 gauge galvanized steel clined construction
- $\frac{1}{2}$ " fiberglass duct liner